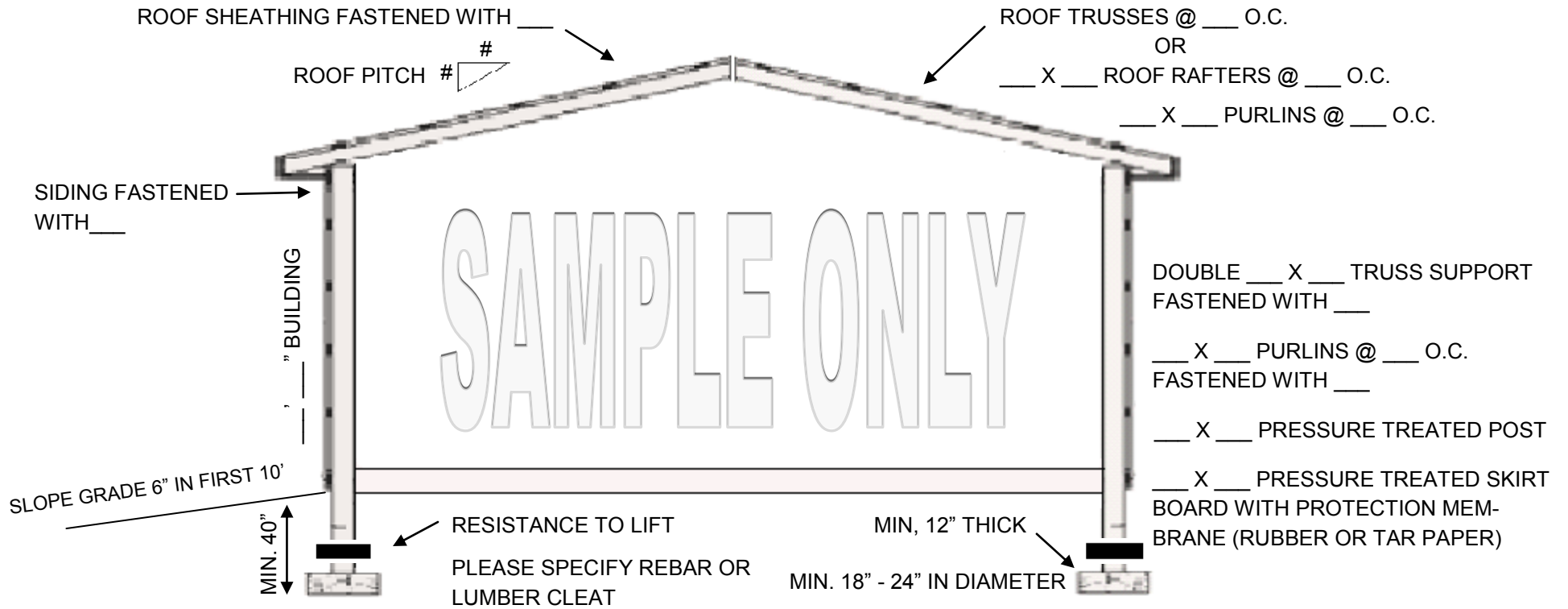
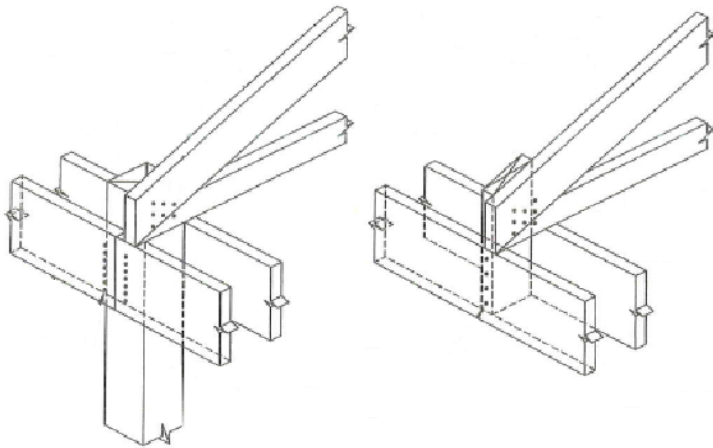


POLE BUILDING CROSS SECTION

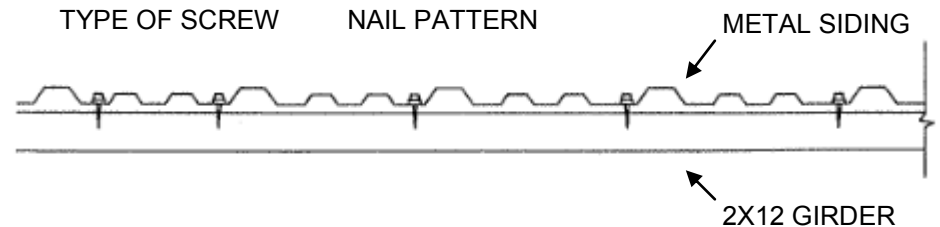


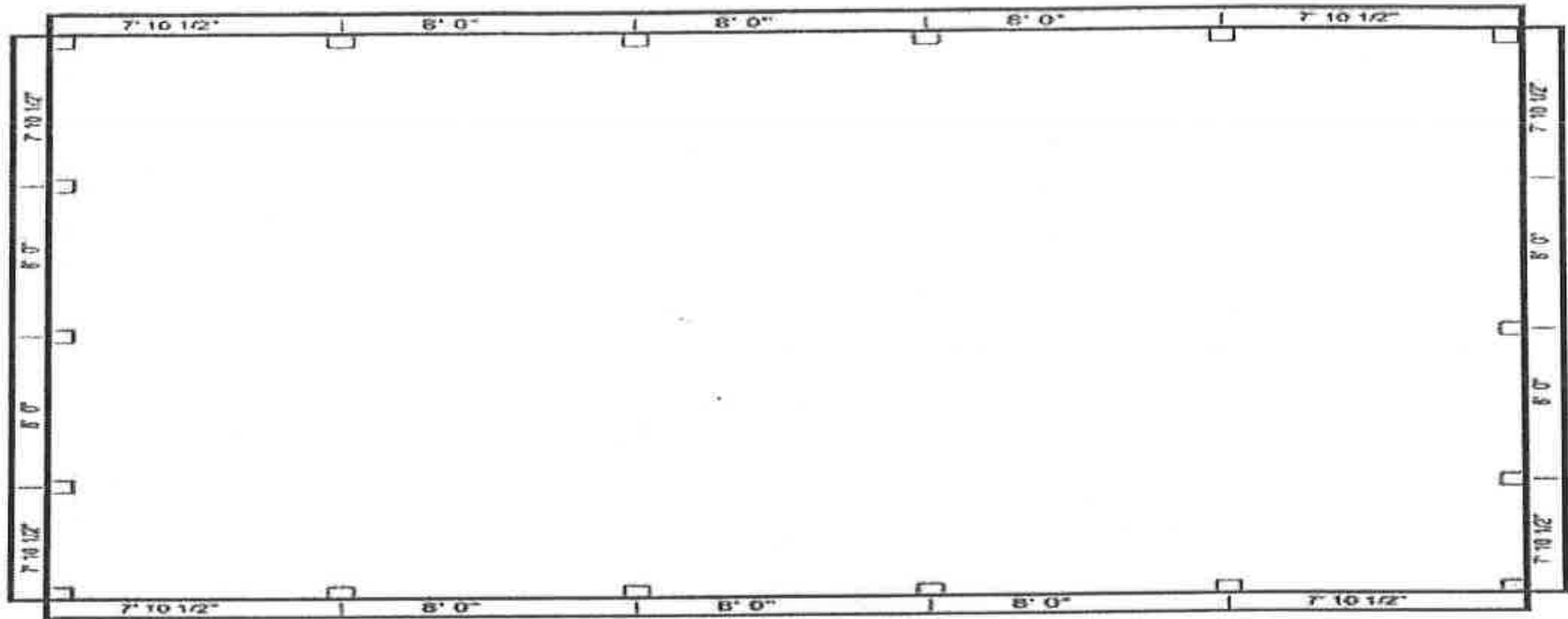
PLEASE SPECIFY
DIRT OR
CONCRETE
FLOORS

HEADER CONNECTION DETAIL



SIDING SCREW PATTERN DETAIL





Please include the following information:

Overall dimension of the building

All Post locations

Distance between posts

Truss Certification (if using pre-manufactured trusses)

Door and window locations

Header size or LVL (if using LVL beams, certifications are required)