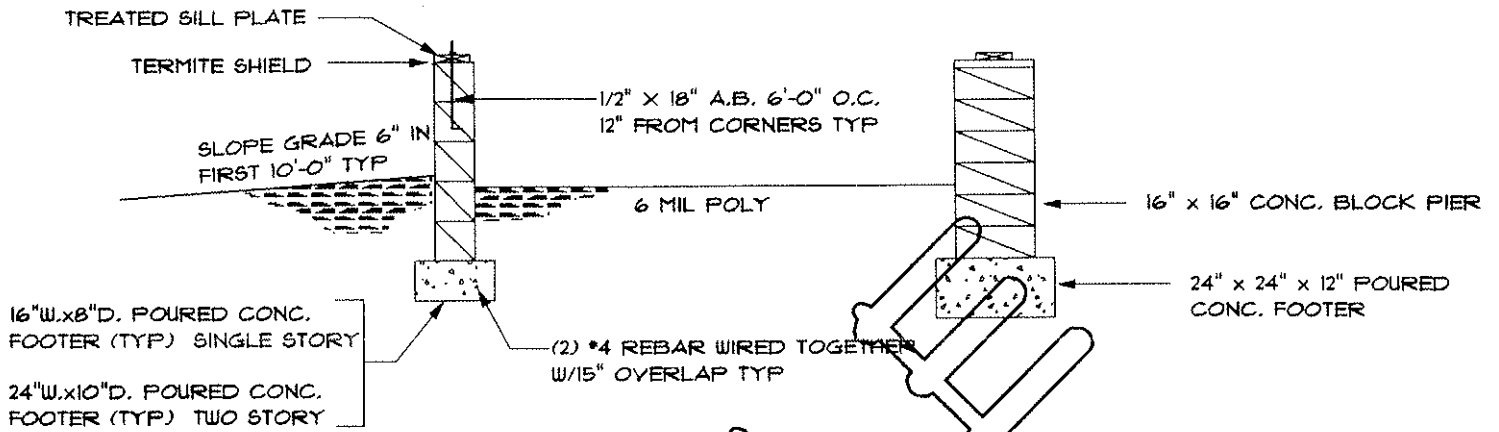
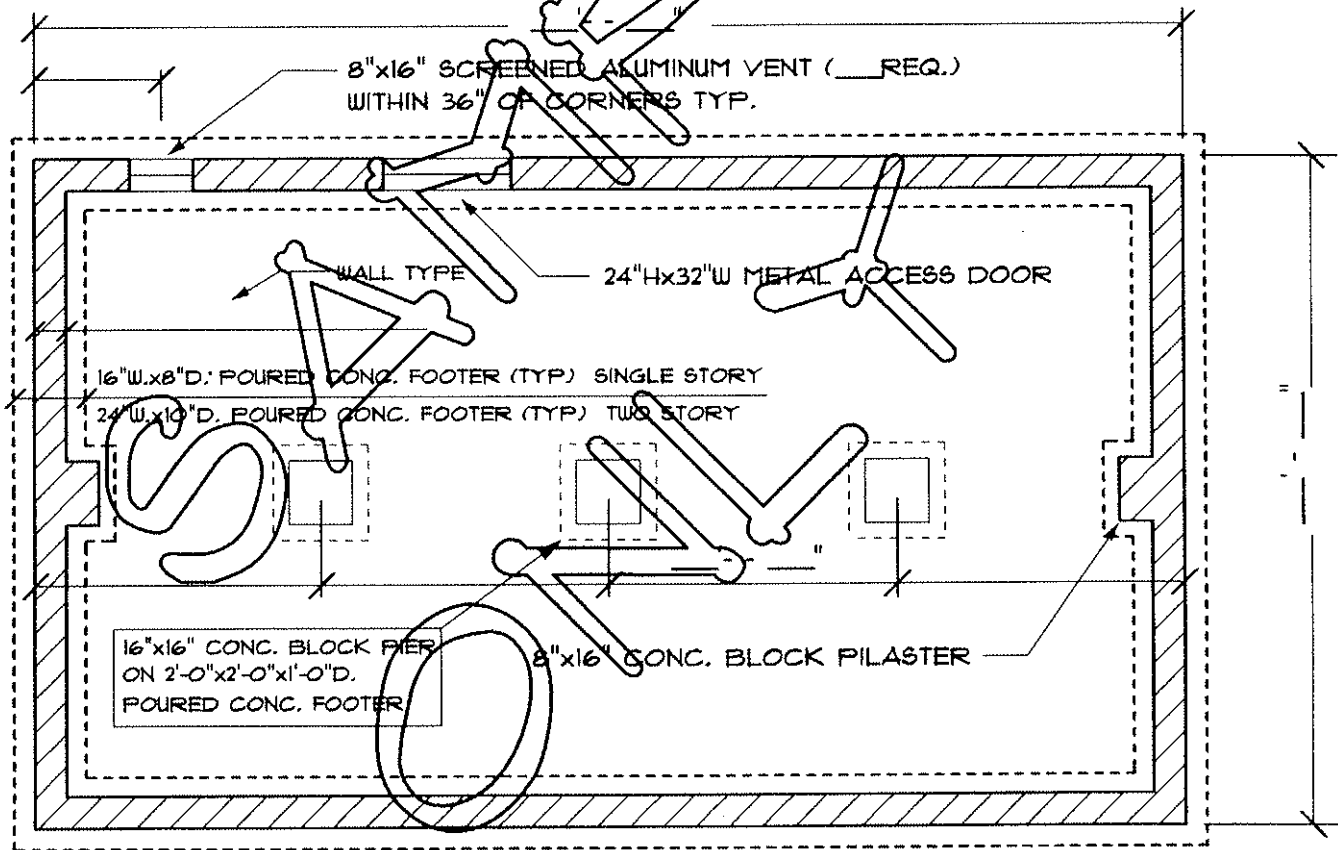


KENT COUNTY INSPECTION & ENFORCEMENT



CRAWL SPACE DETAIL



NOTE: NUMBER OF PIERS MAY DIFFER. INDICATE TYPICAL SPACING

FOOTINGS REQUIRE (2) #4 REBAR WIRED TOGETHER W/15" OVERLAP